

SKU# 320195

5" - 14 gauge spun aluminum ball
gold anodized

Single sheave truck, cast aluminum
revolving, non-fouling type

2 Bronze swivel snaps with covers
per halyard

1 Set of halyard: #10 poly

1 - 9" Cast aluminum cleat

Aluminum flash collar

3000 PSI concrete

Hardwood wedges
(supplied by others)

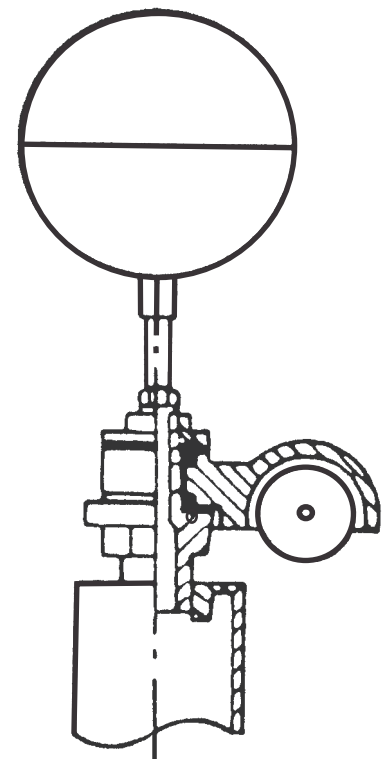
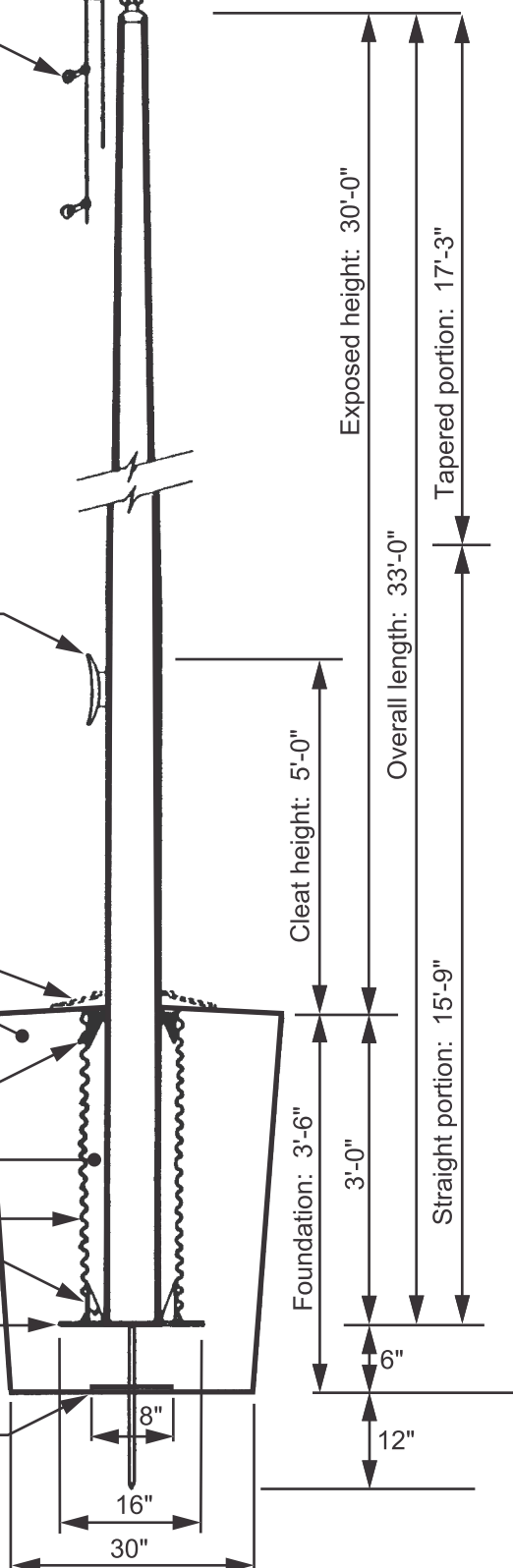
Dry sand tightly tamped
after aligning pole

Foundation sleeve -16 ga
hot dip galvanized steel

Steel centering wedges

1/4" Steel base plate

1/4" Steel support plate
welded to grounding spike



Truck Detail

Aluminum body
Stainless steel ball bearings
Aluminum sheave
Cast aluminum spindle

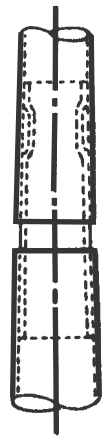


Flags Unlimited
www.usflags.com

All shafts with overall length of more than 38'-6" are shipped in two sections.

Each section matched marked for field assembly. Exposed portion of jam sleeve must be **well lubricated** prior to assembly.

1-1/2" maximum shop gap allowed for field fitting (ram for tight joint)



| | | | |
|-------------|-----------------------------------------------------|----------------------------------------|-----------|
| Project: | Ground set tapered aluminum flagpole: ALLOY: 6063T6 | Flags Unlimited, Inc. | Date: |
| Location: | Exposed height: 30'-0" Overall height: 33'-0" | 10236 Fisher Ave. | Revision: |
| Architect: | Ship in 1 section Butt diameter: 5" | Tampa, FL 33619 | |
| Contractor: | Top diameter: 3" Wall thickness: .125" | www.usflags.com | |
| Customer: | Finish: 100 grit polish | 813-684-1782 Voice 813-654-4272 FAX | Job: |