

SKU# 320197

8" - 14 gauge spun aluminum ball
gold anodized

Single sheave truck, cast aluminum
revolving, non-fouling type

2 Bronze swivel snaps with covers
per halyard

1 Set of halyard: #10 poly

1 - 9" Cast aluminum cleat

Aluminum flash collar

3000 PSI concrete

Hardwood wedges
(supplied by others)

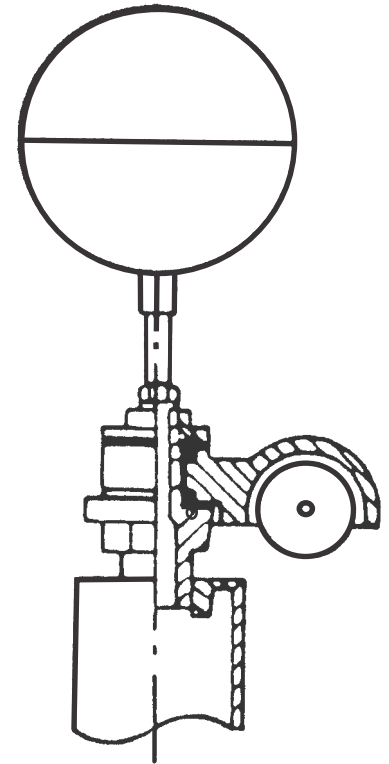
Dry sand tightly tamped
after aligning pole

Foundation sleeve -16 ga
hot dip galvanized steel

Steel centering wedges

1/4" Steel base plate

1/4" Steel support plate
welded to grounding spike



Truck Detail

Aluminum body
Stainless steel ball bearings
Aluminum sheave
Cast aluminum spindle



All shafts with overall
length of more than
38'-6" are shipped in
two sections.

Each section matched marked
for field assembly. Exposed
portion of jam sleeve must
be **well lubricated** prior to
assembly.

1-1/2" maximum shop
gap allowed for field fitting
(ram for tight joint)



Exposed height: 40'-0"

Tapered portion: 22'-9"

Overall length: 44'-0"

Cleat height: 5'-0"

Foundation: 4'-6"

4'-0"

Straight portion: 21'-3"

6"

12"

9"

18"

48"

Project:	Ground set tapered aluminum flagpole: ALLOY: 6063T6	Flags Unlimited, Inc.	Date:
Location:	Exposed height: 40'-0" Overall height: 44'-0"	10236 Fisher Ave.	Revision:
Architect:	Ship in 2 sections Butt diameter: 7"	Tampa, FL 33619	
Contractor:	Top diameter: 3-1/2" Wall thickness: .156"	www.usflags.com	
Customer:	Finish: 100 grit polish	813-684-1782 Voice 813-654-4272 FAX	Job: