

SKU# 320260

3" - 14 gauge spun aluminum ball
gold anodized.

Single sheave truck, cast aluminum
stationary, non-fouling type ST-1-16

One set of halyard,
#8 polypropylene

2 Nylon flag snaps

One 9" Cast Aluminum Cleat

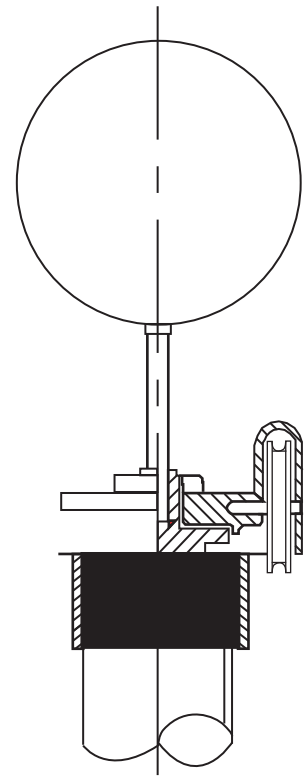
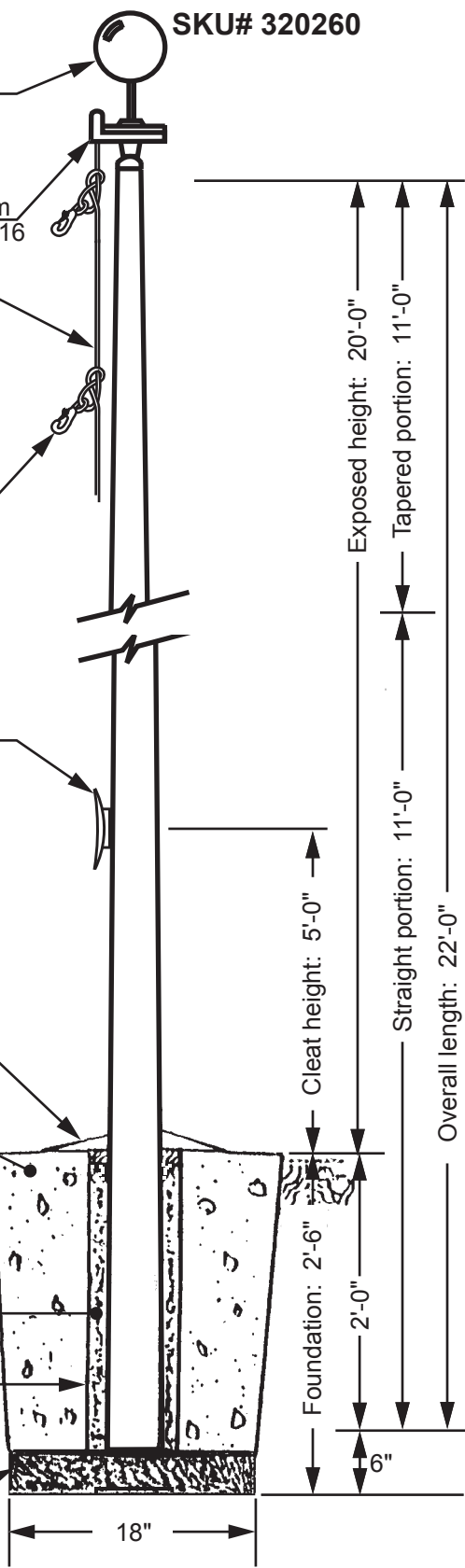
Aluminum flash collar (Optional)

3000 PSI concrete

Dry sand tightly tamped
after aligning pole

Plastic PVC Sono tube 24"

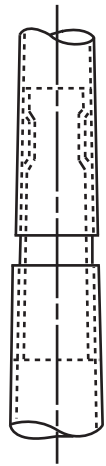
Crushed Stone



All shafts with overall length of more than 38'-6" are shipped in two sections.

Each section matched marked for field assembly. Exposed portion of jam sleeve must be **well lubricated** prior to assembly.

1-1/2" maximum shop gap allowed for field fitting (ram for tight joint)



Project:	Ground set tapered aluminum flagpole: ALLOY: 6063T6	Flags Unlimited, Inc.	Date:
Location:	Exposed height: 20'-0"	Overall height: 22'-0"	10236 Fisher Ave.
Architect:	Ship in 1 section	Butt diameter: 3"	Tampa, FL 33619
Contractor:	Top diameter: 1-7/8"	Wall thickness: .125"	1-800-989-3524
Customer:	Finish: 100 grit polish	www.usflags.com	Job: