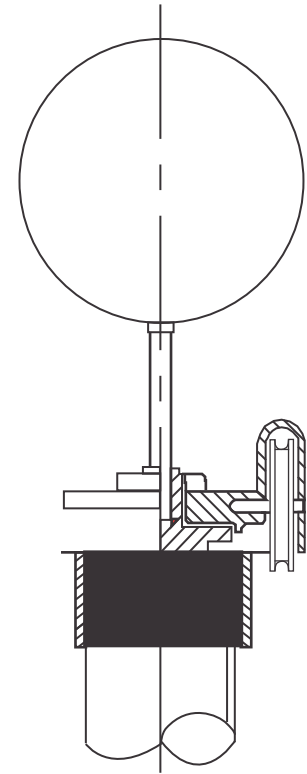
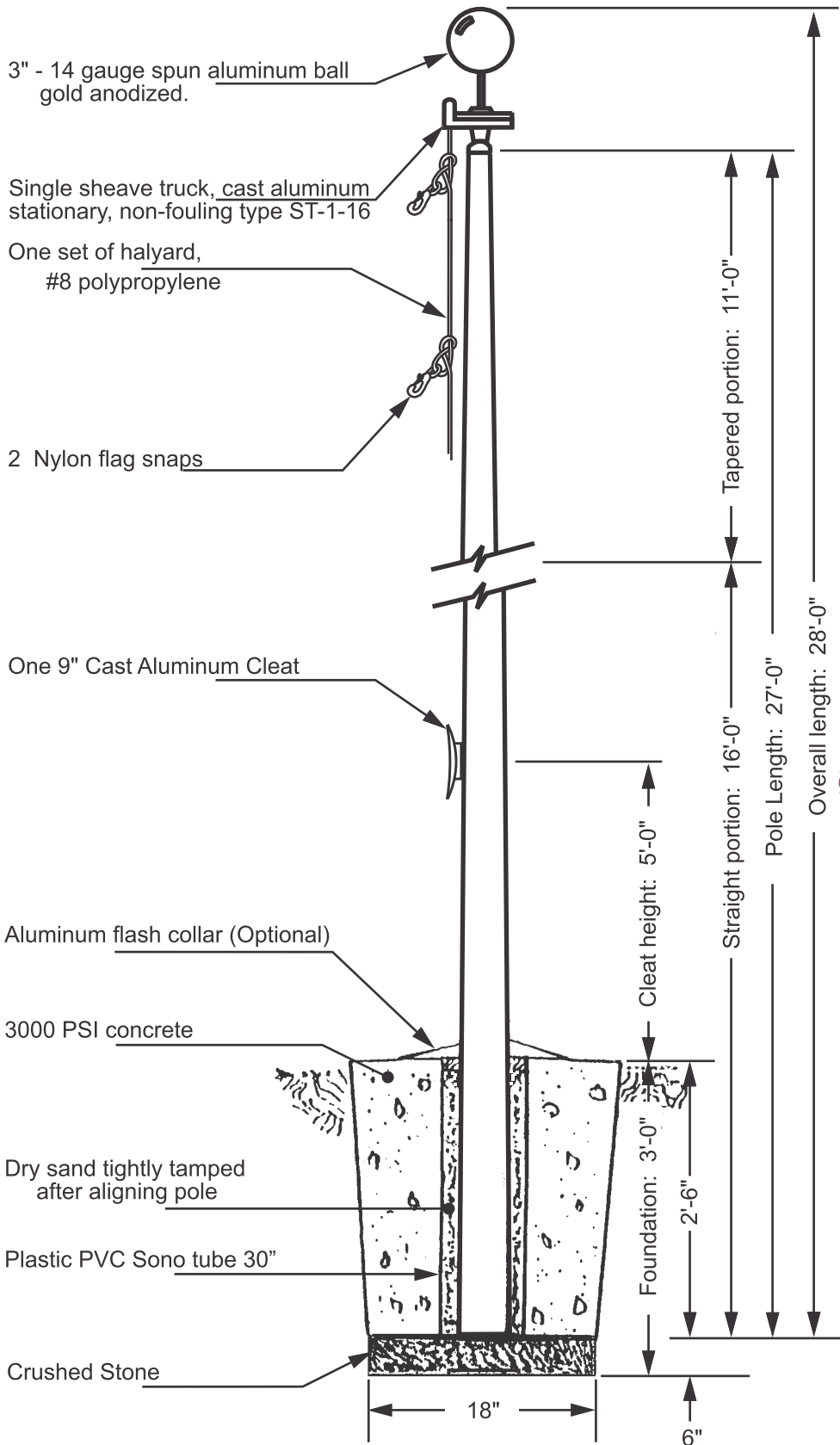


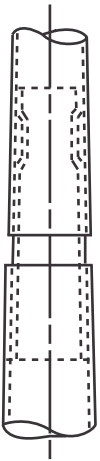
SKU# 320261



All shafts with overall length of more than 38'-6" are shipped in two sections.

Each section matched marked for field assembly. Exposed portion of jam sleeve must be **well lubricated** prior to assembly.

1-1/2" maximum shop gap allowed for field fitting (ram for tight joint)



Project:	Ground set tapered aluminum flagpole: ALLOY: 6063T6	Flags Unlimited, Inc.	Date:
Location:	Exposed height: 25'-0" Overall height: 28'-0"	10236 Fisher Ave.	Revision:
Architect:	Ship in 1 section Butt diameter: 3"	Tampa, FL 33619	
Contractor:	Top diameter: 1-7/8" Wall thickness: .125"	www.usflags.com	
Customer:	Finish: 100 grit polish	813-684-1782 Voice 813-654-4272 FAX	Job: