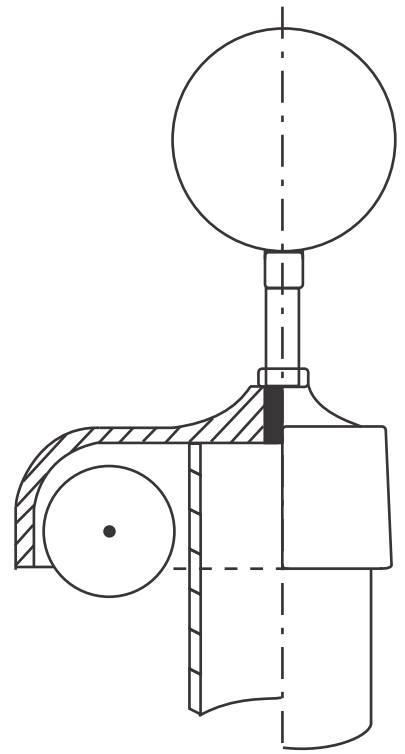
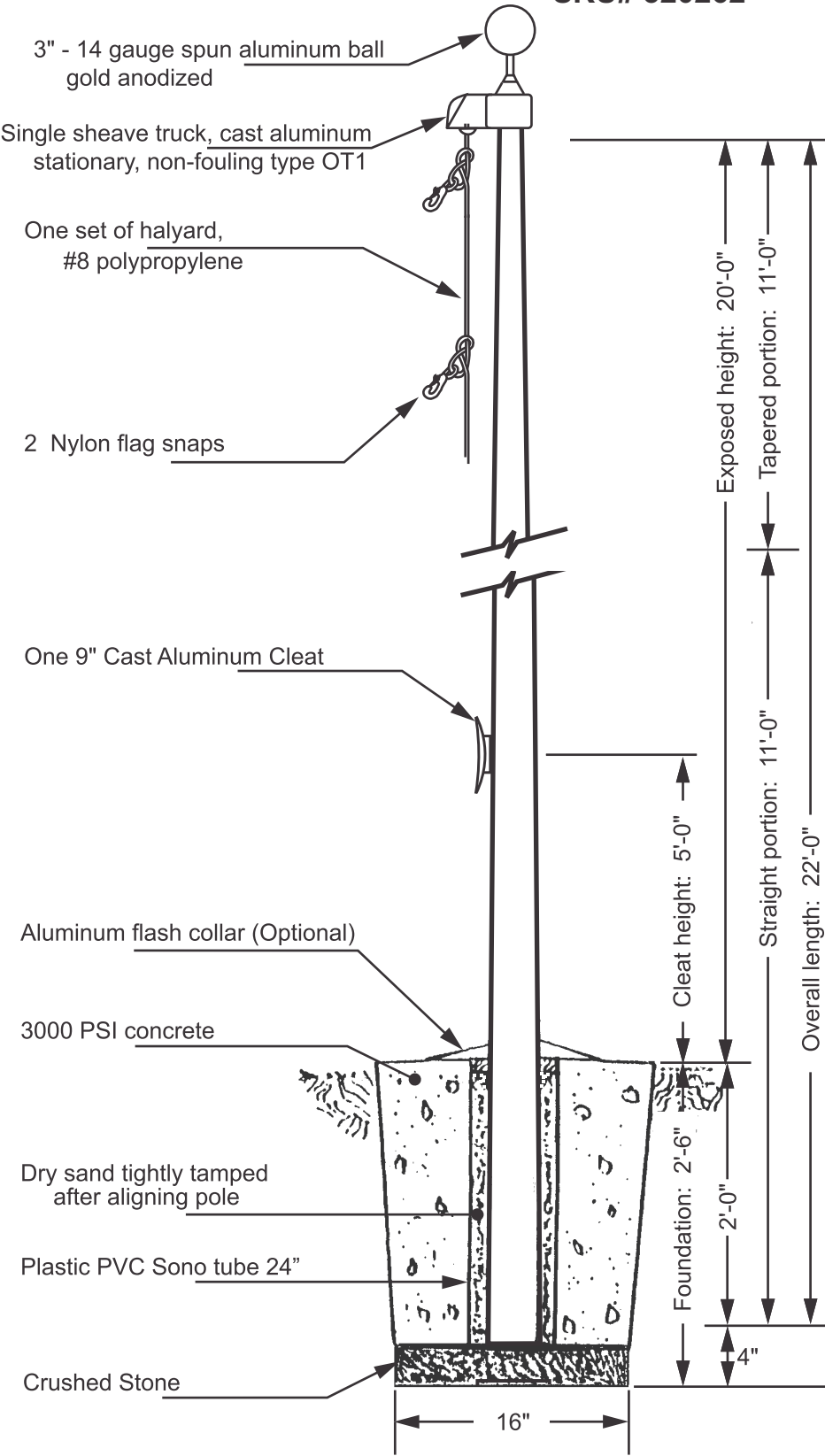


SKU# 320262



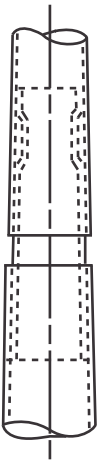
Stationary Truck Detail  
Cast Aluminum body



All shafts with overall length of more than 38'-6" are shipped in two sections.

Each section matched marked for field assembly. Exposed portion of jam sleeve must be **well lubricated** prior to assembly.

1-1/2" maximum shop gap allowed for field fitting (ram for tight joint)



Filename: ECS 20 stationary truck\_external halyard.ai

|             |                                                     |                        |                   |
|-------------|-----------------------------------------------------|------------------------|-------------------|
| Project:    | Ground set tapered aluminum flagpole: ALLOY: 6063T6 | Flags Unlimited, Inc.  | Date:             |
| Location:   | Exposed height: 20'-0"                              | Overall height: 22'-0" | 10236 Fisher Ave. |
| Architect:  | Ship in 1 section                                   | Butt diameter: 3-1/2"  | Tampa, FL 33619   |
| Contractor: | Top diameter: 2-3/8"                                | Wall thickness: .125"  | www.usflags.com   |
| Customer:   | Finish: 100 grit polish                             | 813-684-1782 Voice     | Job:              |
|             |                                                     | 813-654-4272 FAX       |                   |