

SKU# 320265

5" - 14 gauge spun aluminum ball
gold anodized

Single sheave truck, cast aluminum
revolving, non-fouling type RTS-1-125

2 Bronze swivel snaps with covers
per halyard

1 Set of halyard: #10 poly

1 - 9" Cast aluminum cleat

Aluminum flash collar

3000 PSI concrete

Hardwood wedges
(supplied by others)

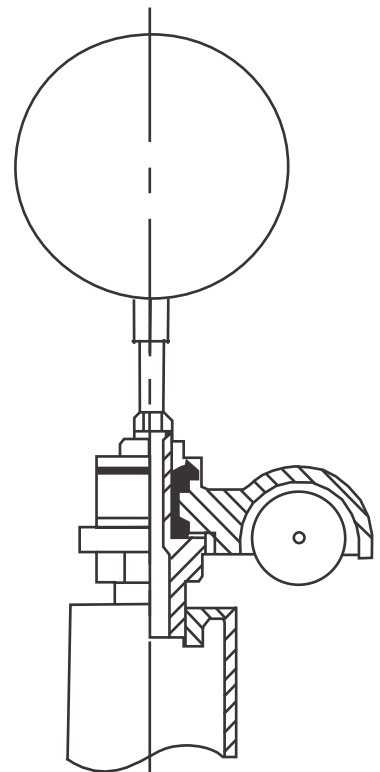
Dry sand tightly tamped
after aligning pole

Foundation sleeve -16 ga
hot dip galvanized steel

Steel centering wedges

1/4" Steel base plate

1/4" Steel support plate
welded to grounding spike

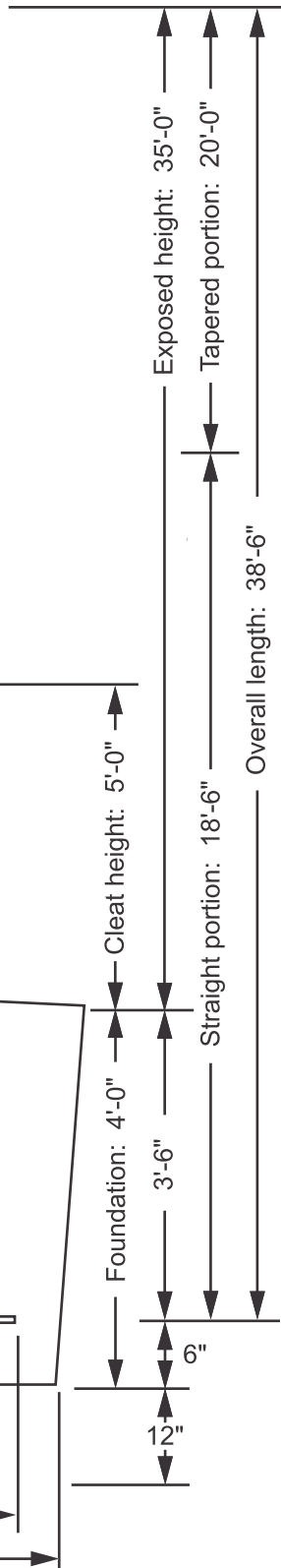


Truck Detail

Cast aluminum body
Self-lubricating ball bearings
2" Cast nylon pulley
1/4" stainless steel axle



Flags Unlimited
www.usflags.com



Project:	Ground set tapered aluminum flagpole: ALLOY: 6063T6	Flags Unlimited, Inc.	Date:
Location:	Exposed height: 35'-0"	Overall height: 38'-6"	Revision:
Architect:		421 Hobbs St.	
Contractor:	Top diameter: 3"	Butt diameter: 5"	Tampa, FL 33619
Customer:	Finish: 100 grit polish	Wall thickness: .156"	www.usflags.com
		813-684-1782	Voice
		813-654-4272	FAX
			Job: