

Single sheave truck, cast aluminum revolving, non-fouling, internal halyard truck

SKU# 320490



1/8" x 7x19 Mil-C-5424
Stainless steel aircraft cable

Standard flag arrangement:
10' x 15'

Neoprene coated 2" diameter
steel counterweight

Nylon beaded retainer ring

Gearless, self locking direct
drive winch with six tumbler
cylinder lock

Aluminum flash collar

3000 PSI concrete

Hardwood wedges
(supplied by others)

Dry sand tightly tamped
after aligning pole

Foundation sleeve -16 ga
hot dip galvanized steel

Steel centering wedges

1/4" Steel base plate

1/4" Steel support plate
welded to grounding spike

Exposed height: 50'-0"
Tapered portion: 37'-2"

Overall length: 55'-0"

Access door : 4'-0"

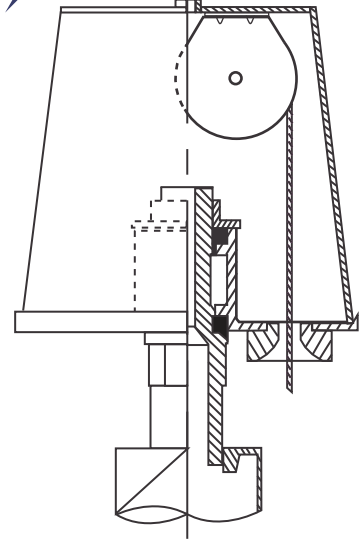
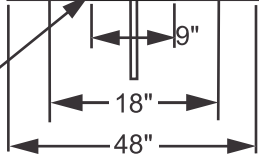
Straight portion: 17'-10"

Foundation: 5'-6"

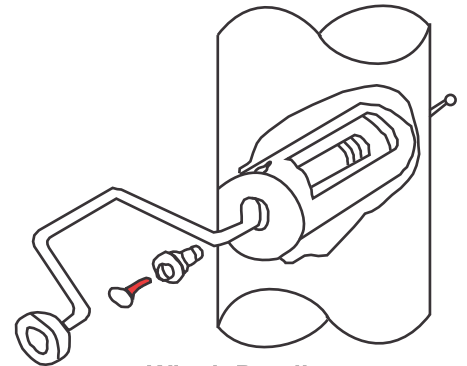
5'-0"

6"

12"



Revolving non-fouling internal halyard truck, cast aluminum body, 26 stainless steel ball bearings, and 2-1/2" diameter plated steel sheave.

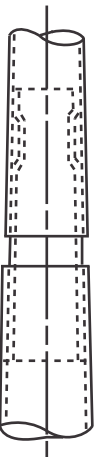


Winch Detail

All shafts with overall length of more than 38'-6" are shipped in two sections.

Each section matched marked for field assembly. Exposed portion of jam sleeve must be **well lubricated** prior to assembly.

1-1/2" maximum shop gap allowed for field fitting (ram for tight joint)



Project:	Ground set tapered aluminum flagpole: ALLOY: 6063T6	Flags Unlimited, Inc.	Date:
Location:	Exposed height: 50'-0" Overall height: 55'-0"	10236 Fisher Ave.	Revision:
Architect:	Ship in 2 sections	Tampa, FL 33619	
Contractor:	Top diameter: 3-1/2" Wall thickness: .188"	www.usflags.com	
Customer:	Finish: 100 grit polish	813-684-1782 Voice 813-654-4272 FAX	Job: